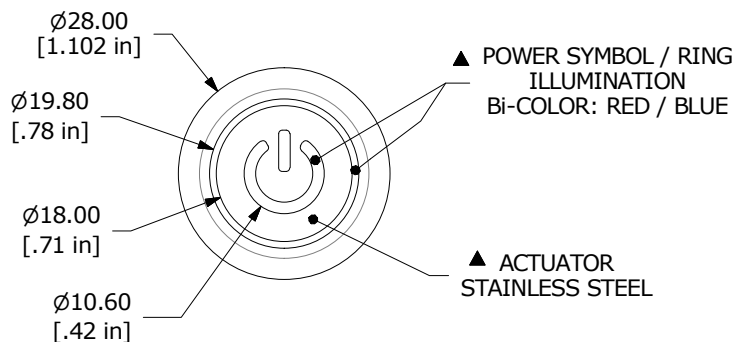
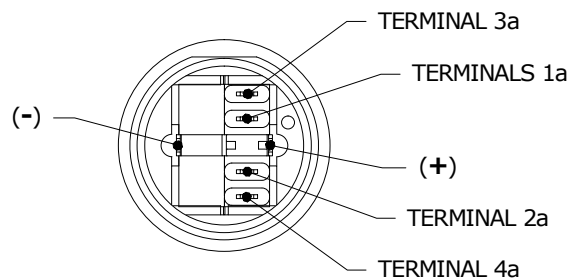
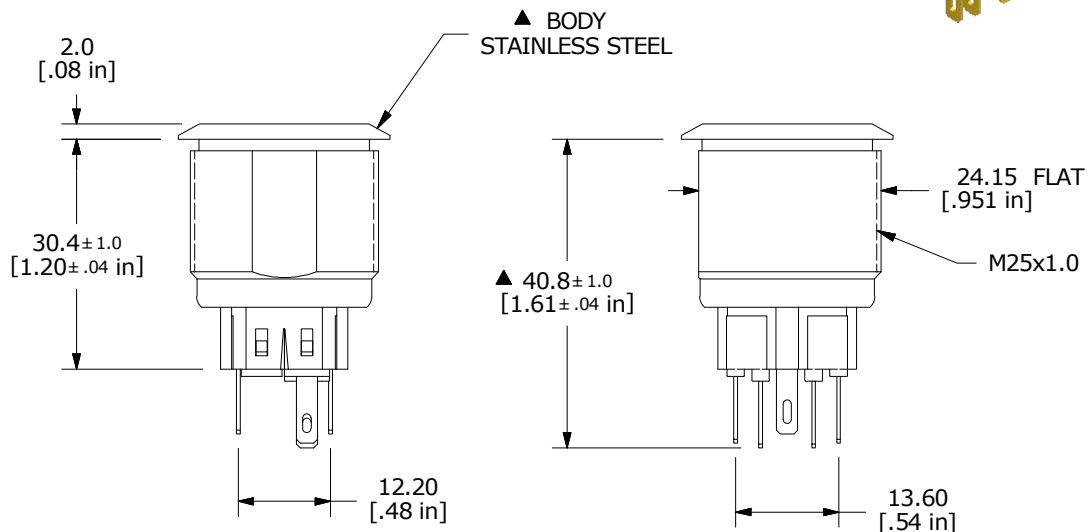
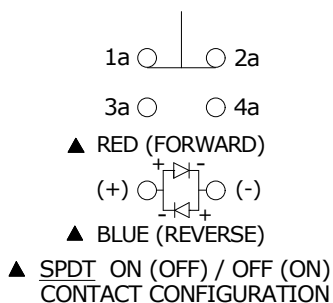


RECOMMENDED PANEL CUTOUT
MAX. PANEL THICKNESS 12mm



| SWITCH FUNCTION | |
|-----------------|---------|
| POS. 1 | POS. 2 |
| | |
| 1a-2a | (3a-4a) |



- NOTE:
- ALL DIMENSIONS IN MM [INCH]
 - GENERAL TOLERANCE: X.X = ± 0.4
X.XX = ± 0.25
 - TERMINAL NOS. FOR REF. ONLY
 - RATING: 2A @ 48VDC
 - ILLUMINATION VOLTAGE: 1.8V FORWARD, 2.8V REVERSE
 - CONTACT RESISTANCE: 50mΩ MAX. @ 1A 12VDC
 - INSULATION RESISTANCE: 1,000MΩ @ 500VDC
 - DIELECTRIC STRENGTH: 2,000VAC MIN. FOR 1 MINUTE
 - ELECTRICAL LIFE: 50,000 CYCLES
 - OPERATING TEMPERATURE: -20°C to 55°C
 - INGRESS PROTECTION: IP65
 - SUPPLIED HARDWARE: O-RING AND HEXNUT
 - ▲ DENOTES CRITICAL PARAMETER
 - 2011/65/EU (ROHS) COMPLIANT



| | | | | |
|-----|--------|---|---------|----|
| B | 22929 | update term. base orientation and Ring thk. | 7/17/17 | MW |
| A | 22004 | RELEASE FOR PRODUCTION | 9/29/15 | MW |
| REV | PCR NO | DESCRIPTION | DATE | BY |

| | | | | |
|-------------------------|-----------|----|--------------------|-----|
| TITLE PV8F2Y0SS-3H1-M14 | | | | |
| SCALE | DATE | DR | DWG | REV |
| 1:1 | 9/29/2015 | MW | 52-PV8F2Y0SS3H1M14 | B |

THE INFORMATION CONTAINED IN THIS DOCUMENT IS PROPRIETARY TO E-SWITCH AND IS NOT TO BE COPIED OR TRANSFERRED